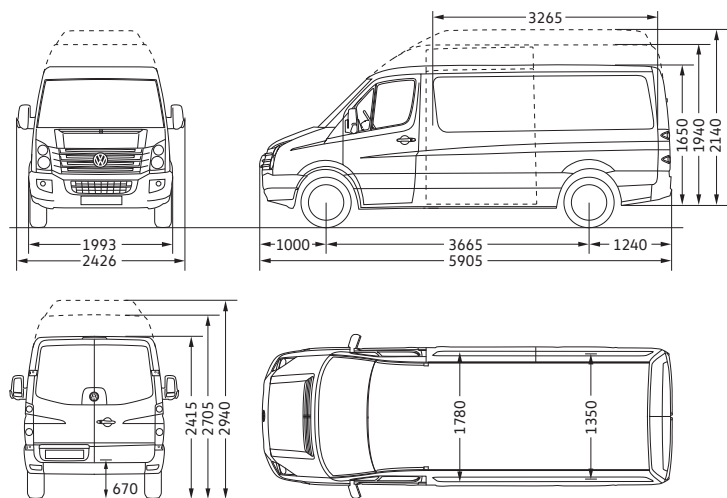
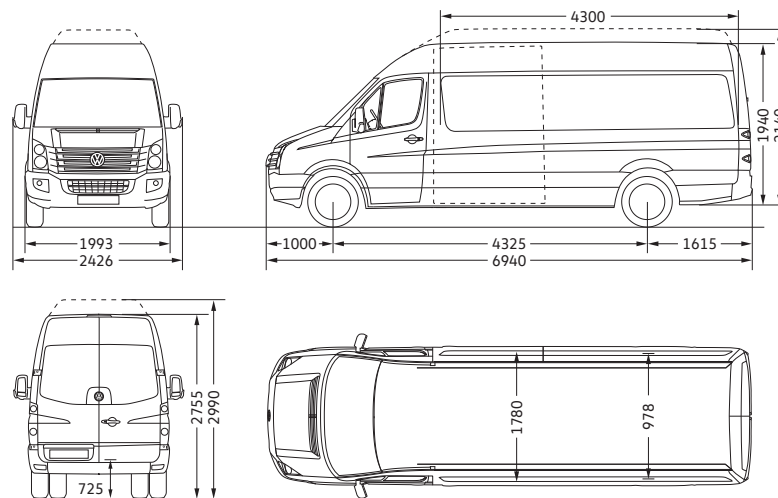


Dimensions - Crafter Panel Van

Crafter 35 Panel Van (MWB) with Normal, High and Super High Roof



Crafter 50 Panel Van (LWB) with High Roof and Super High Roof

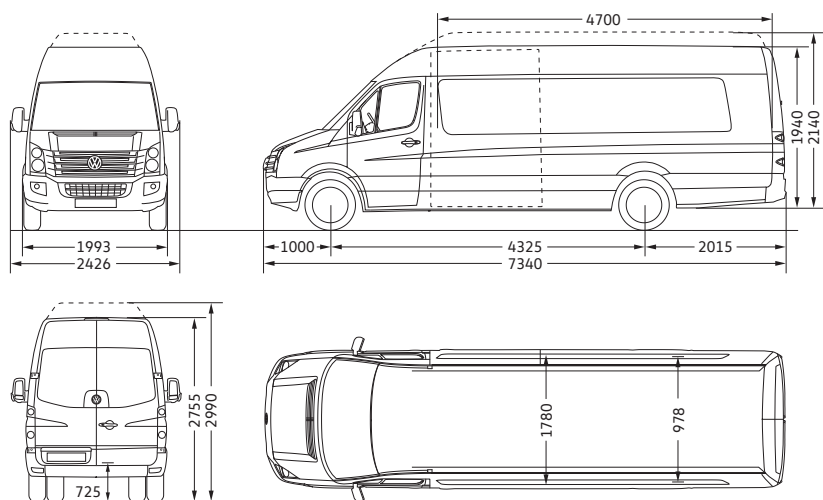


Load compartment, volume	(m ²)	9.0/10.5/11.5	Load compartment, volume	(m ²)	14.0/15.5
Lateral sliding door, width x height	(m)	1,300 x 1,520/1,820/1,820	Lateral sliding door, width x height	(m)	1,300 x 1,820/1,820
Rear wing doors, width x height	(m)	1,565 x 1,540/1,840/1,840	Rear wing doors, width x height	(m)	1,565 x 1,840/1,840/1,840
Turning circle	(m)	13.6	Turning circle	(m)	15.6

All measurements listed are based on series vehicles. Because of manufacturing tolerances/tyre sizes/type of chassis, the actual dimensions may differ slightly from the values stated here. The information about the degree of slope angle front and rear as well as the ramp angle each refer to the loaded condition of the vehicle in consideration of the gross vehicle weight. The vehicle drawings are not to scale.

Dimensions - Crafter Panel Van

Crafter 50 Panel Van (XLWB) with High Roof and Super High Roof



Load compartment, volume	(m ³)	15.5/17.0
Lateral sliding door, width x height	(m)	1,300 x 1,820/1,820
Rear wing doors, width x height	(m)	1,565 x 1,840/1,840
Turning circle	(m)	15.6

All measurements listed are based on series vehicles. Because of manufacturing tolerances/tyre sizes/type of chassis, the actual dimensions may differ slightly from the values stated here. The information about the degree of slope angle front and rear as well as the ramp angle each refer to the loaded condition of the vehicle in consideration of the gross vehicle weight. The vehicle drawings are not to scale.